

# AP-MNT-W4 Mount Kit

## Installation Guide

The AP-MNT-W4 Mount Kit is a low-profile mount kit for attaching APs to a solid, flat surface, such as a wall or the ceiling. The low-profile design means that there will be limited space, about 11.5mm, between the back of the AP and the mount surface. For APs with straight entry Ethernet ports, an Ethernet cable with an angled plug can be used, or an adapter cable and coupler are provided. APs with side-entry Ethernet ports can use this mount kit without use of an angled plug or adapter cable and coupler.

### Package Contents

- Plastic Mount Adapter
- RJ45 Coupler
- RJ45 Cable



---

Screws and plastic anchors are not included in this mount kit.

---

### Wall Mount Installation



---

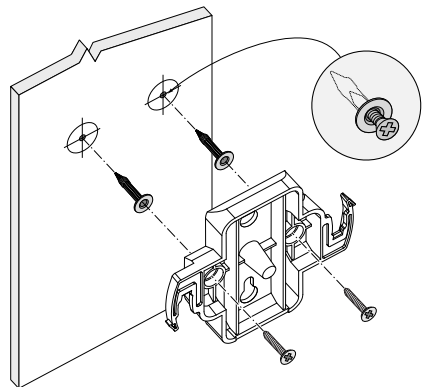
This mount kit supports multiple AP models. All installation images show the AP-345.

---

#### Adapter-to-Solid Surface Option

1. Attach the plastic mount adapter to any solid surface, such as a wall or ceiling, as shown in [Figure 1](#).
  - a. Install any necessary wall anchors. Wall anchors are not included in this kit.
  - b. Align the screw holes in the mounting bracket with the previously installed anchors or demarcated screw points.
  - c. Insert the screws to secure the mounting adapter. Screws are not included in this kit.

**Figure 1** Attaching the Adapter to the Wall

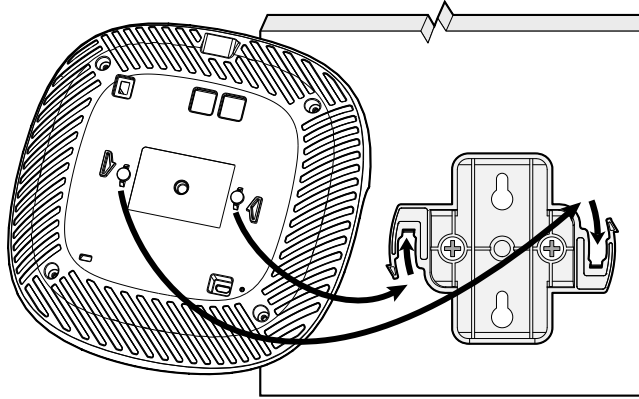


2. Attach necessary cables and/or antennas to the AP.
3. Attach the AP to the secured mounting adapter as shown in [Figure 2](#).
  - a. Align the AP with a mounting adapter, placing the AP so that its mounting tabs are at an angle of approximately 30 degrees to the adapter.



4. Pushing towards the solid surface, rotate the AP clockwise until it clicks into place (see [Figure 2](#)).

**Figure 2** Attach the AP to the Adapter



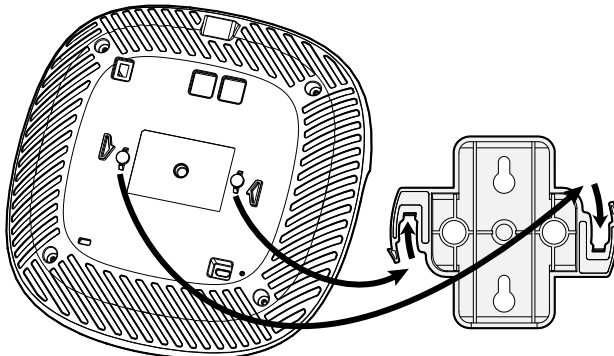
## AP-to-Adapter Option



This mounting option works only with a wall.

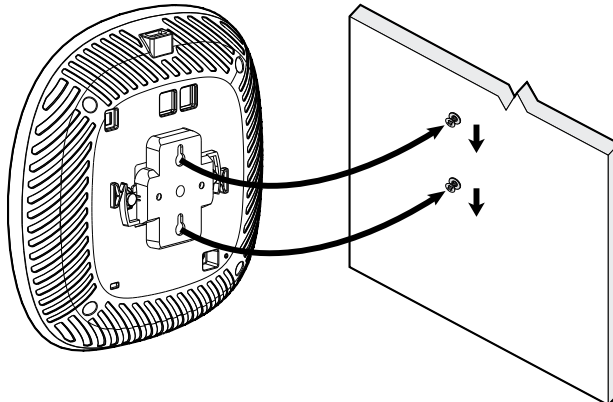
1. Place the adapter against the back of the AP with the adapter at an angle of approximately 30 degrees to the tab (see [Figure 3](#)).
2. Twist the adapter clockwise until it snaps into place in the tabs (see [Figure 3](#)).

**Figure 3** Adapter Installation



3. Install two screws (and wall anchors if necessary), one above the other. Do not fully insert the screws into the wall. Leave enough space between the screw head and the wall for the adapter.
4. Align the keyhole slots on the back of the adapter with the screws installed in [step 3](#).
5. Place the larger opening on the keyhole slot over the screw and pull the AP down until it is securely attached to the screws (see [Figure 4](#)).

**Figure 4** AP-Adapter Wall Installation

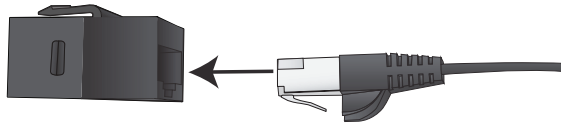


## Installing Cables with a Coupler

For APs with straight-entry Ethernet ports, an Ethernet cable with an angled plug can be used, or an adapter cable and coupler are provided. APs with side-entry Ethernet ports can use this mount kit without use of an angled plug or adapter cable and coupler. Use the following step to insert the RJ45 cable into the RJ45 coupler.

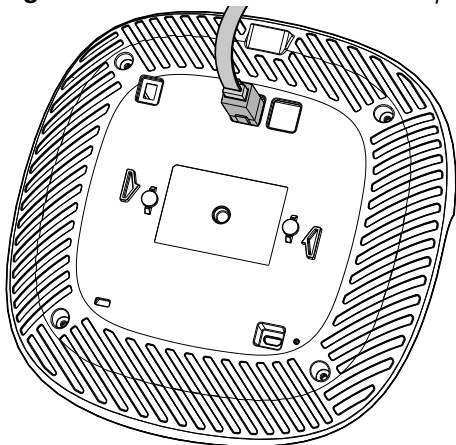
1. Insert one end of the cable into the coupler until the cable snaps into place. See [Figure 5](#).

**Figure 5** Inserting the RJ45 Cable into the RJ45 Coupler



[Figure 6](#) shows an example of an access point with a straight-entry port using the cable and coupler.

**Figure 6** AP-345 with Cable and Coupler



[Figure 7](#) shows an access point with a side-entry port with a cable directly attached.

**Figure 7** AP-303 with Cable

